



IPS 4K/60Hz AV over IP System

One IPS, More Applications

Uncompressed & Zero Latency 4K/60Hz AV Over IP



The IPS transceiver product line is an SDVoE-compliant AV over IP system that enables uncompromised 4K/60Hz 4:4:4 with zero latency A/V extension across copper (IPS-AC) or fiber (IPS-AF) 10-Gigabit networks, which are centrally controlled by an IPS-M.

The IPS-AC and IPS-AF transceivers enable HDMI 2.0, enabling the delivery of HDR, 10-bit color content, and multi-channel HD audio signals. The advanced capabilities of the IPS-AC and IPS-AF transceivers include the transmission of several control and data signals in addition to audio and video, such as IR, RS-232, USB (KVM), and 1-Gigabit Extension. The IPS-AC and IPS-AF transceivers are appropriate for 18Gbps HDMI setups in which several transceivers are paired with one or more 10-Gigabit copper/fiber switches to build a dispersed network.

Key Features

- 4K/60Hz 4:4:4 AV over IP via a 10-Gigabit network
- Seamless switching & Zero latency
- PoE+ - Power over Ethernet+ (IPS-AC Only)
- End-to-end AES 128-bit encryption ensures safe video transit
- Rackmount chassis for efficient deployment
- Preset-event function to schedule the video
- Transceiver (transmitter and receiver in one device)
- Excellent heat management with a fanless design
- Support video modes - matrix switch, multi-view display, video wall, and KVM
- Intuitive management via web GUI and APIs (Application Programming Interfaces)

IPS-AC (Copper Transceiver)



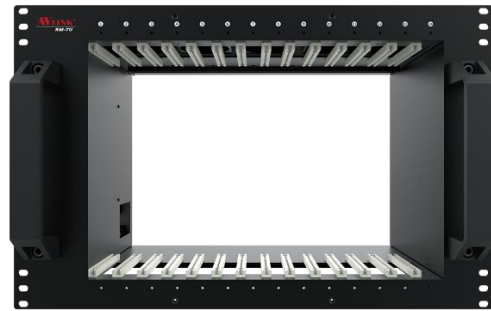
IPS-M (Controller)



IPS-AF (Fiber Transceiver)



RM-7U (Rackmount Chassis)



Highlights



Uncompressed 4K

The IPS product family transmits perfect resolution of uncompressed 720p, 1080p, and UHD to 4K contents over a 10-Gigabit Ethernet via standard CAT 6a (IPS-AC) and fiber (IPS-AF).



Transceiver

The IPS-AC & IPS-AF build both transmitter and receiver in one device.

The transceiver design offers bi-directional transmission in the network which offers efficiently systemized deployment.



Zero Latency

The IPS utilizes SDVoE's AVP platform which offers instant transmission of perfect pixels and data in the networking.



Optimized Heat Management

The optimized hardware layout contributes excellent heat management with a fan-less design.



Ready for Rack Mount

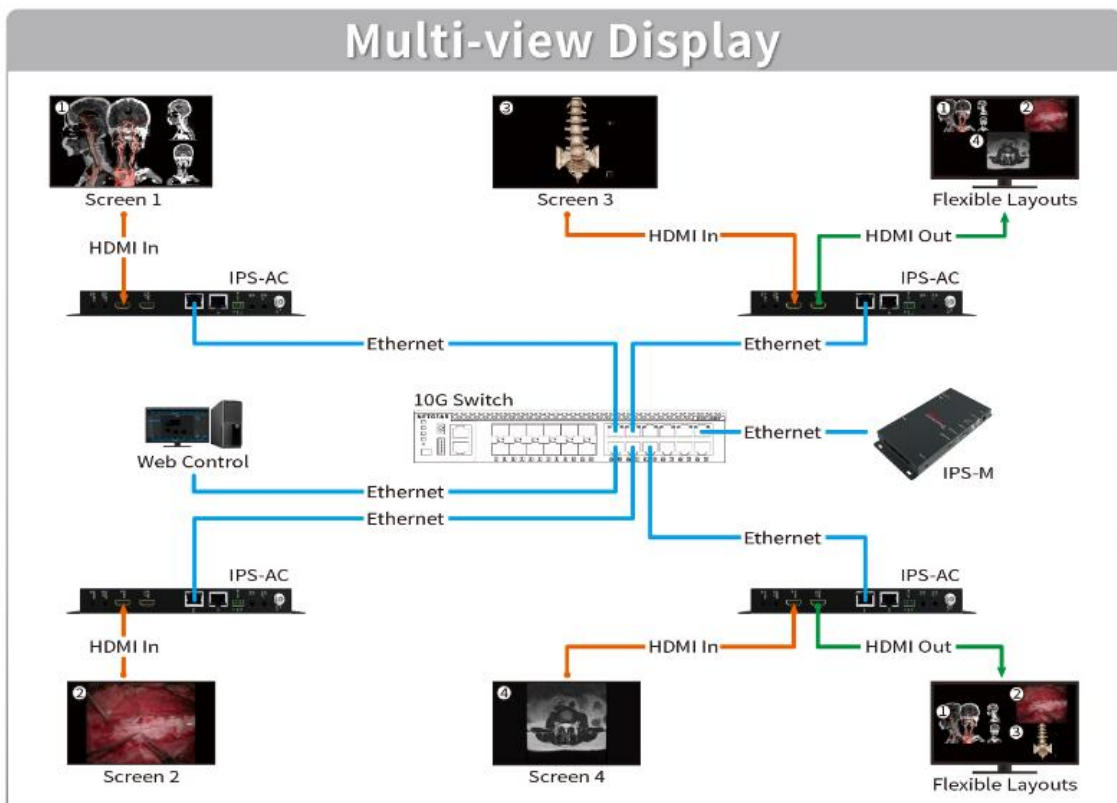
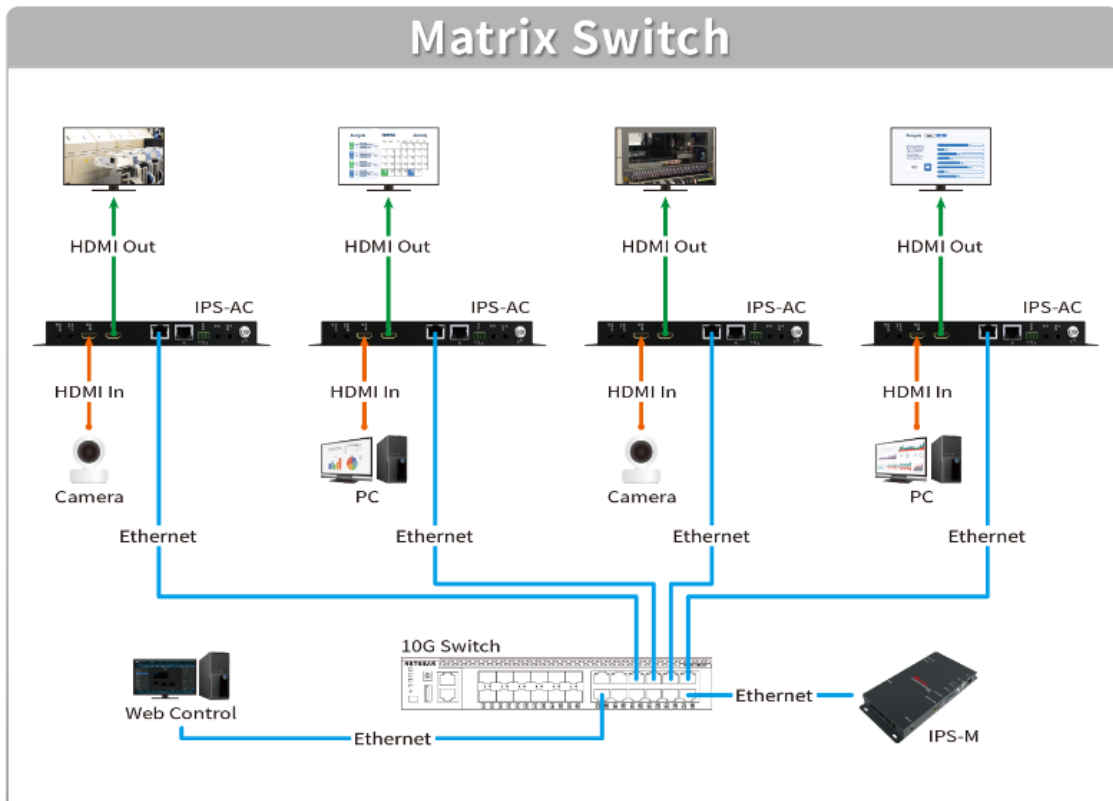
The IPS-AC, IPS-AF & IPS-M are ready to rack-mount on the RM-7U rack for easier management of devices.



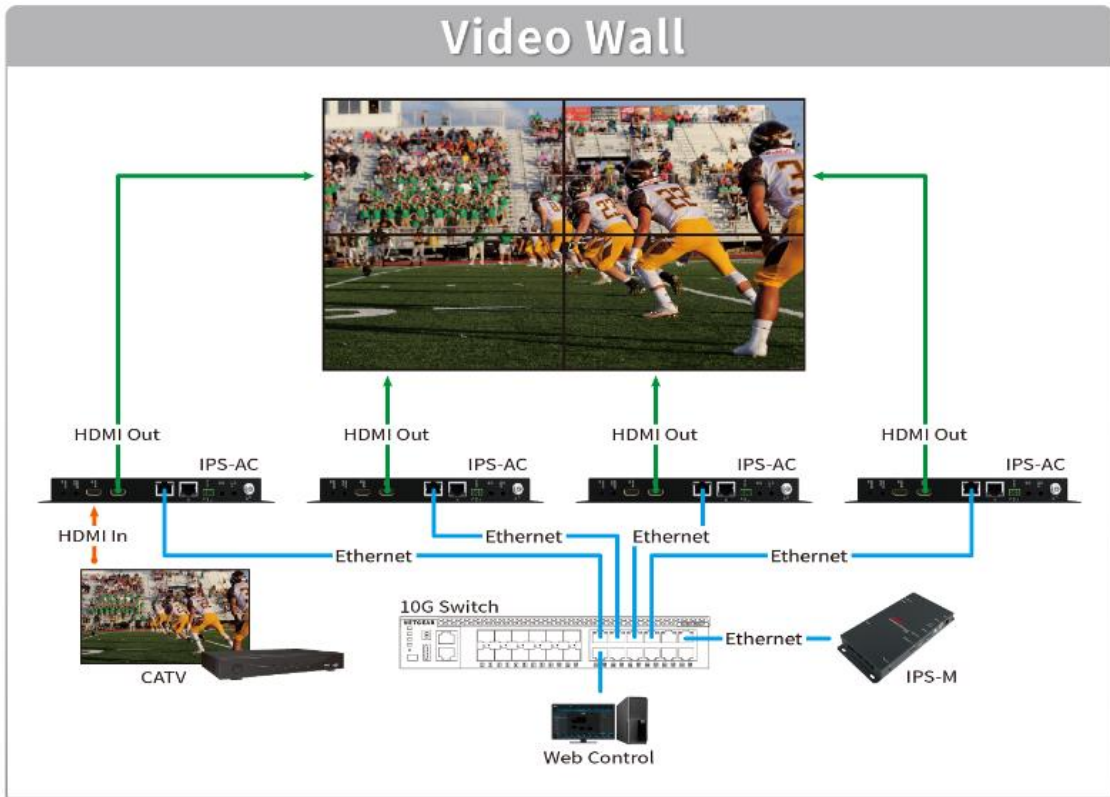
End-to-end Encryption

End-to-end AES 128-bit encryption ensures safe video transit

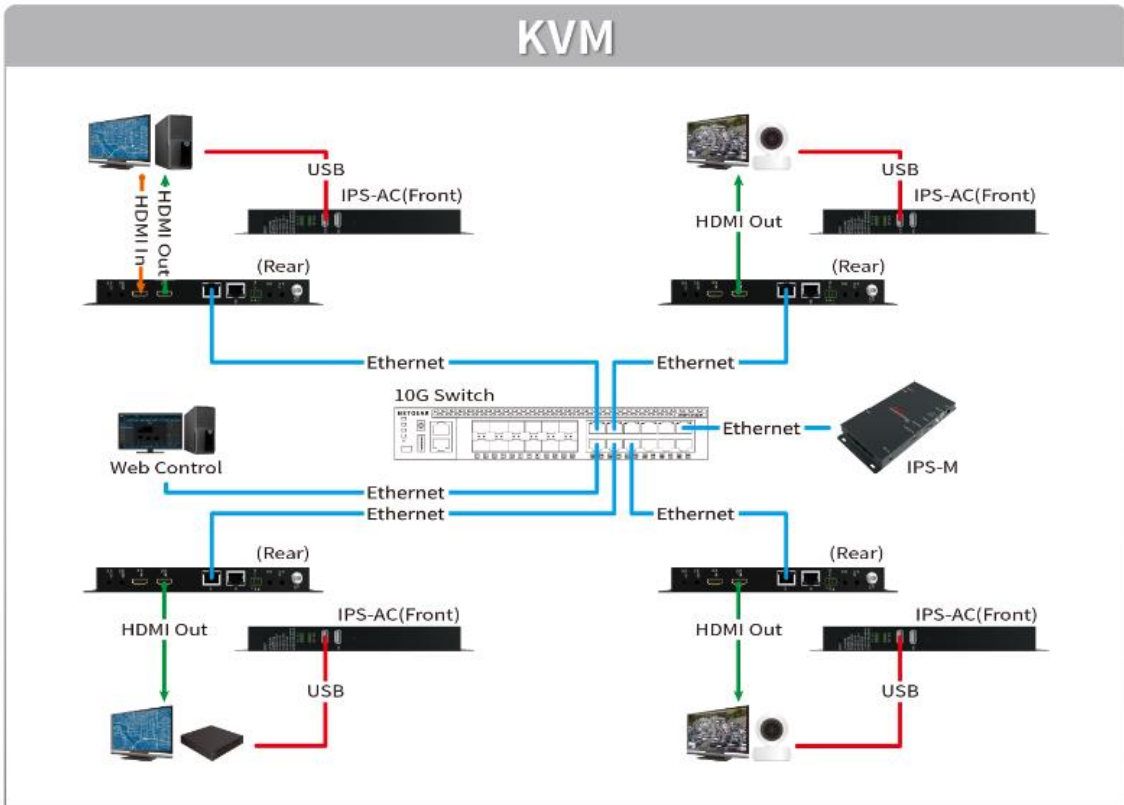
Diagram



Video Wall



KVM



Specifications

IPS-AC / AF:

VIDEO INPUT	
Video Formats	Up to HDMI 2.0 4K/60Hz 4:4:4, HDR, DisplayPort 1.2
Connector	HDMI Type A
VIDEO OUTPUT	
Video Formats	Up to HDMI 2.0 4K/60Hz 4:4:4, HDR
Connector	HDMI Type A
EDID	Read Display EDID
HDCP	
HDCP	HDCP 2.2/1.4 Compliant
AUDIO INPUT	
Audio Format	Analog L/R MIC-IN, 20dB gain
Connector	3.5mm Jack
AUDIO OUTPUT	
Audio Format	Analog L/R
Connector	3.5mm Jack
SERIAL DATA	

Channel Capacity	1 bi-directional
Signal Format	RS-232
Data Rate	Up to 115,200 baud rate
Connector	Phoenix 3 pin
USB	
Signal Format	USB 2.0
Connector	Type-A
USB HID	
Signal Format	USB 1.1
Connector	Type-A
1GbE	
Connector	Copper / RJ45
10GbE	
IPS-AF	Fiber / SFP+
IPS-AC	Copper / RJ45 with POE+/PD
POWER SUPPLY	
Voltage	+12V DC
Current (Max.)	2A
Power Consumption	24W
CASE	

Dimensions (LxDxH)	210 x 114 x 25 mm
Construction	Metal enclosure with black textured paint finish
Net Weight	722g

IPS-M Specifications:

VIDEO OUTPUT	
Video Formats	Up to HDMI 2.0 4K/60Hz 4:4:4, HDR
Connector	HDMI Type A
EDID	Read Display EDID
SERIAL DATA	
Channel Capacity	1 bi-directional
Signal Format	RS-232
USB	
Signal Format	USB 2.0
Connector	Type-A
USB	
Signal Format	USB 3.1 GEN1
Connector	Type-A
USB	
Signal Format	USB Type-C
Connector	Type-C

ETHERNET	
Ethernet Speed	10/100/1000 Base-T
Connector	RJ45
POWER SUPPLY	
Voltage	+12V DC
Current (Max.)	2A
Power Consumption	24W
CASE	
Dimensions (LxDxH)	210 x 114 x 25 mm
Construction	Metal enclosure with black textured paint finish
Net Weight	656g

RM-7U Specifications:

MECHANISM	
Dimensions (WxHxD)	483 x 311 x 300 mm (Chassis Only)
	483 x 311 x 349 mm (Handles Included)
Net Weight	6,200g
Chassis Material	Metal
Color	Black
Device Slot	14
POWER SUPPLY	
Power Input	100 - 240VAC, 4.0A, 50/60Hz
Power Output	12V / 26.7A
Power Consumption	320.4W (Max.)



TEL : +886 2-8226-2268

Web : www.avlinksystem.com

FAX : +886 2-8226-2269

Email : sales@cctch.com.tw